



Flameproof & Weatherproof Multiway Junction Box for Ex-d, IIA/IIB Application

● General Technical Data

ENCLOSURE :

Ex-d, GAS Gr. IIA & IIB AS PER IS/IEC 60079-1:2007

AREA CLASSIFICATION :

ZONE - 1, 2, 21 & 22

MATERIAL OF CONSTRUCTION :

DIE CAST ALUMINUM ALLOY

SURFACE TEMP. CLASSIFICATION :

T6

FINISH :

DARK ADMIRALTY GREY EPOXY POWDER COATED SHADE 632 AS PER IS:5

HARDWARE :

STAINLESS STEEL

EARTHING :

1 No. INSIDE & 2 Nos. OUTSIDE

OPTIONAL ACCESSORIES AT EXTRA COST :

- 1) DOUBLE COMPRESSION CABLE GLAND & STOPPER (BNP/SS)
- 2) PAINT SHADE AS PER CUSTOMER REQUIREMENT
- 3) CANOPY





Flameproof & Weatherproof Multiway Junction Box

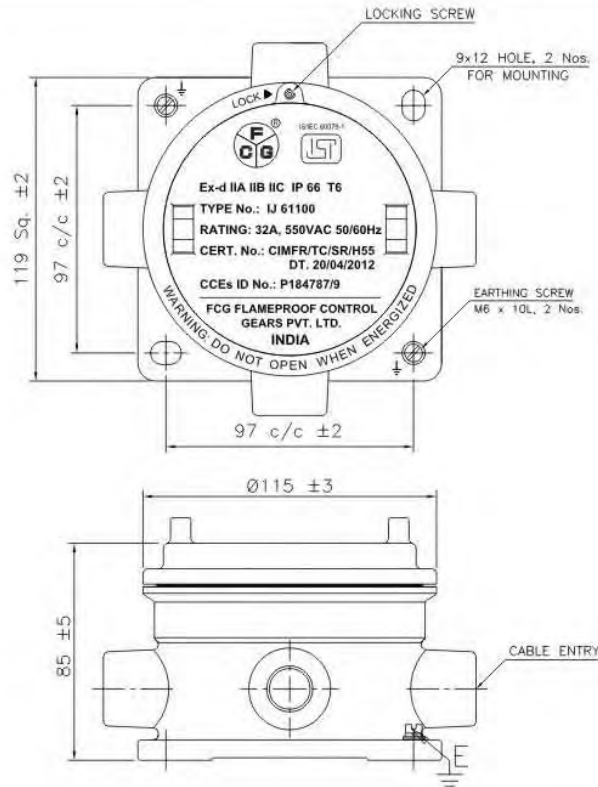
• Technical Data : IJ 31100

PROTECTION :
IP-66 AS PER IS/IEC 60529:2001

CERTIFICATION :
CIMFR/TC/S/1097

TERMINALS :
30A, 4 WAY TERMINAL BLOCK
OR AS PER CLIENT REQUIREMENT
CLIPON TYPE 2.5 Sq. mm x 8 Nos. Max.

CABLE ENTRY :
M20 x 4 Nos. AS A STANDARD
THREE SIDE M20 x 1 No.
AT BOTTOM M20 x 2 Nos. AS ON REQUEST



• Technical Data : IJ 61125

PROTECTION :
IP-65 AS PER IS/IEC 60529:2001

CERTIFICATION :
CIMFR/TC/SR/06

TERMINALS :
CLIPON TYPE 2.5 Sq. mm x 10 Nos.

CABLE ENTRY :
M20 x 8 Nos. MAX.

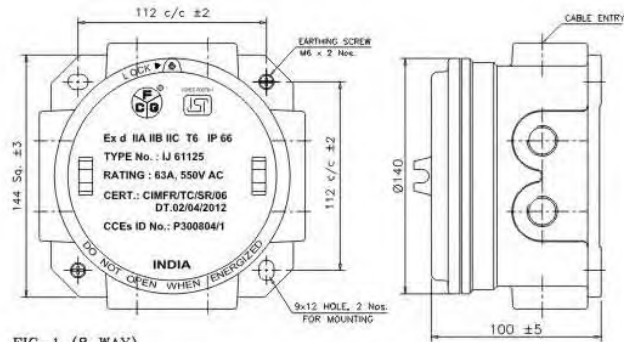


FIG-1 (8 WAY)



FIG-2 (6 WAY)

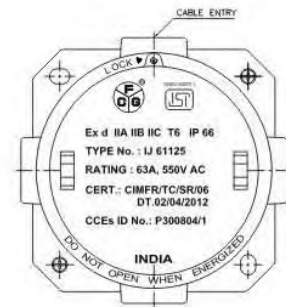


FIG-3 (4 WAY)



Flameproof & Weatherproof Multiway Junction Box

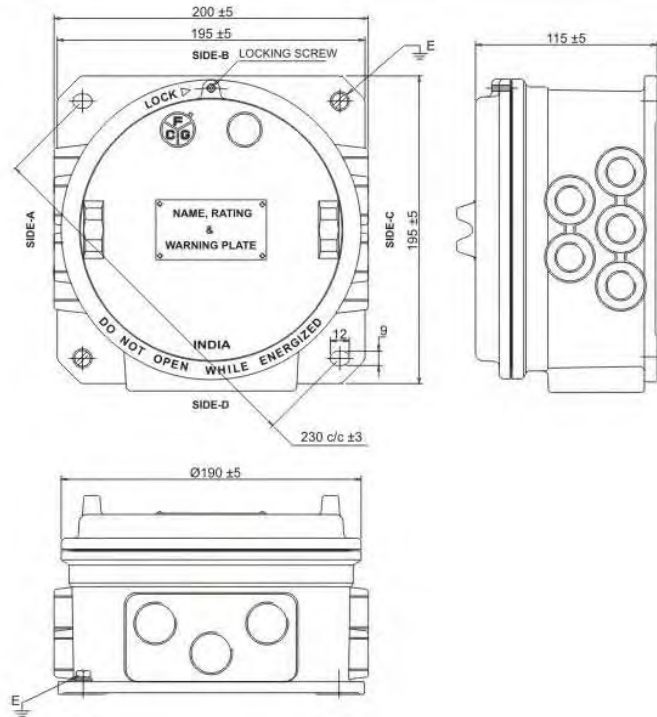
● Technical Data : IJ 61170

PROTECTION :
IP-66 AS PER IS/IEC 60529:2001

CERTIFICATION :
CIMFR/TC/SR/1556

TERMINALS :
CLIPON TYPE RAIL MOUNTED.
2.5 Sq.mm x 18 Nos.

CABLE ENTRY :
SIDE - A : M20 (Max. 5 Nos.)
SIDE - B : ON REQUEST
SIDE - C : M20 (Max. 5 Nos.)
SIDE - D : M25 (Max. 3 Nos.)



● Technical Data : IJ 61204T

PROTECTION :
IP-66 AS PER IS/IEC 60529:2001

CERTIFICATION :
CIMFR/TC/SR/1346

TERMINALS :
AS PER TABLE

CABLE ENTRY :
AS PER TABLE

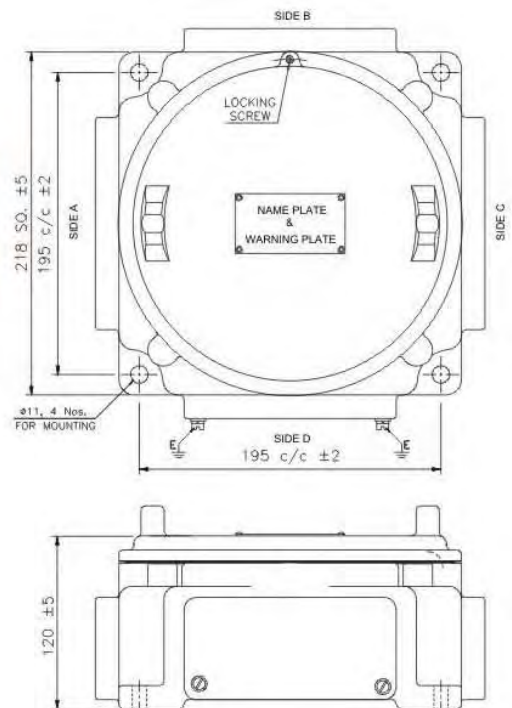
NOTE :
THESE ENCLOSURE IS
ALSO AVAILABLE
WITH SPIGOTTED COVER

Maximum Number of Terminals (DIN Rail mounted)

Type of Terminals	4 Sq.mm	6 Sq.mm	10 Sq.mm	16 Sq.mm
Nos of Terminals	17 Nos.	14 Nos.	11 Nos.	09 Nos.

Maximum Number of Cable Entries

Sr. No.	Size of Cable Entries	Max Nos of Cable Entries			
		Side -A	Side-B	Side-C	Side-D
D1	M20 x 1.5 Pitch	06 Nos.	As an	06 Nos.	06 Nos.
D2	M25 x 1.5 Pitch	03 Nos.	request	03 Nos.	03 Nos.
D3	M32 x 1.5 Pitch	02 Nos.		02 Nos.	02 Nos.
D4	M40 x 1.5 Pitch	02 Nos.		02 Nos.	02 Nos.





SINCE 1974

Flameproof & Weatherproof Multiway Junction Box

• Technical Data :

PROTECTION :

IP-65/66 AS PER IS/IEC 60529:2001

CERTIFICATION :

AS PER TABLE No.1

TERMINALS :

AS PER TABLE No.3

CABLE ENTRY :

AS PER TABLE No.2

NOTE :

- 1) THESE ENCLOSURE IS AVAILABLE WITH HINGE ARRANGEMENT ON REQUEST.
- 2) THESE ENCLOSURE IS ALSO AVAILABLE WITH SPIGOTTED COVER ON REQUEST.

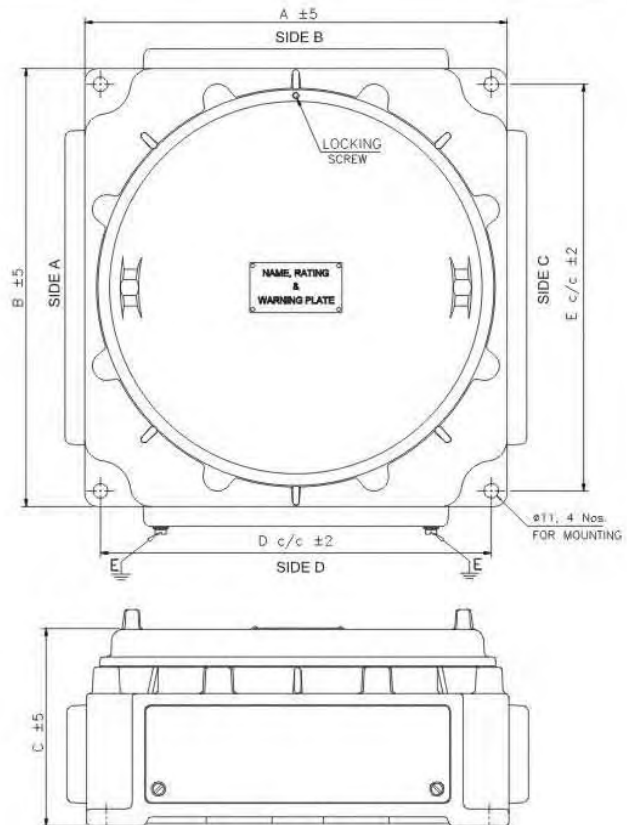


Table 1

Sr. No.	TYPE No.	IP	CERTIFICATION	DIMENSIONS					REMARKS
				A ±5	B ±5	C ±5	D ±3	E ±3	
01	SC 313260	66	CIMFR/TC/SR/1606	270	300	150	240	270	WITH DGMS
02	Sc 313310	66	CIMFR/TC/SR/1667	322	344	150	298	310	-
03	SC 313375	66	CIMFR/TC/SR/1581	322	375	150	292	345	-
04	SC 313410	66	CIMFR/TC/SR/1666	380	425	150	345	390	-
05	IJ 61340	66	CIMFR/TC/SR/H751	362	362	170	330	330	-

Table 2

Maximum Number of Cable Entries

Sr. No.	SIZE OF CABLE ENTRIES	MAX. Nos. OF CABLE ENTRIES									
		SC 313260		SC 313310		SC 313375		SC 313410		IJ 61340	
		SIDE A/C	SIDE B/D	SIDE A/C	SIDE B/D	SIDE A/C	SIDE B/D	SIDE A/C	SIDE B/D	SIDE A/C	SIDE B/D
01	M20 x 1.5 Pitch	09 Nos.	08 Nos.	10 Nos.	10 Nos.	13 Nos.	10 Nos.	14 Nos.	13 Nos.	15 Nos.	15 Nos.
02	M25 x 1.5 Pitch	06 Nos.	05 Nos.	08 Nos.	08 Nos.	10 Nos.	08 Nos.	12 Nos.	10 Nos.	10 Nos.	10 Nos.
03	M32 x 1.5 Pitch	04 Nos.	03 Nos.	04 Nos.	04 Nos.	05 Nos.	04 Nos.	06 Nos.	05 Nos.	06 Nos.	06 Nos.
04	M40 x 1.5 Pitch	03 Nos.	02 Nos.	04 Nos.	03 Nos.	04 Nos.	03 Nos.	05 Nos.	04 Nos.	06 Nos.	06 Nos.
05	M50 x 1.5 Pitch	02 Nos.	02 Nos.	03 Nos.	03 Nos.	03 Nos.	03 Nos.	04 Nos.	03 Nos.	03 Nos.	03 Nos.
06	M63 x 1.5 Pitch	—	—	—	—	—	—	—	—	02 Nos.	02 Nos.
07	M75 x 1.5 Pitch	—	—	—	—	—	—	—	—	02 Nos.	02 Nos.

Table 3

Maximum Number of Terminals

Sr. No.	TYPE No	Maximum Number of Terminals (DIN Rail mounted)													
		2.5/4 Sq.mm		6 Sq.mm		10 Sq mm		16 Sq.mm		35/50 Sq.mm		70 Sq mm		95 Sq.mm	
		HOR.	VER.	HOR.	VER.	HOR.	VER.	HOR.	VER.	HOR.	VER.	HOR.	VER.	HOR.	VER.
01	SC 313260	2 x 24	2 x 28	2 x 20	2 x 24	2 x 17	2 x 20	2 x 14	2 x 16	1 x 07	1 x 08	1 x 02	1 x 03	—	—
02	SC 313310	2 x 30	2 x 32	2 x 26	2 x 28	2 x 20	2 x 20	2 x 16	2 x 16	1 x 10	1 x 09	1 x 04	1 x 03	1 x 03	1 x 02
03	SC 313375	2 x 30	2 x 34	2 x 26	2 x 30	2 x 20	2 x 23	2 x 16	2 x 18	2 x 09	1 x 10	1 x 03	1 x 05	1 x 02	1 x 04
04	SC 313410	3 x 34	3 x 42	3 x 30	3 x 36	3 x 23	3 x 30	2 x 18	2 x 24	2 x 10	2 x 14	2 x 06	1 x 05	1 x 04	1 x 05
05	IJ 61340	2 x 38	2 x 38	2 x 33	2 x 33	2 x 26	2 x 26	2 x 21	2 x 21	1 x 09	1 x 09	1 x 08	1 x 08	1 x 06	1 x 06



SINCE 1974

Flameproof & Weatherproof Multiway Junction Box

Technical Data :

PROTECTION :

IP-65/66 AS PER IS/IEC 60529:2001

CERTIFICATION :

CIMFR/TC/SR/H54 CIMFR/TC/SR/H97

TERMINALS :

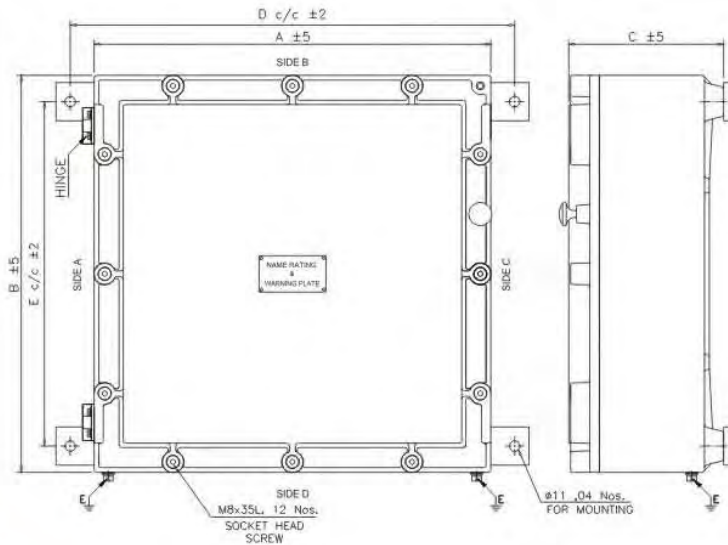
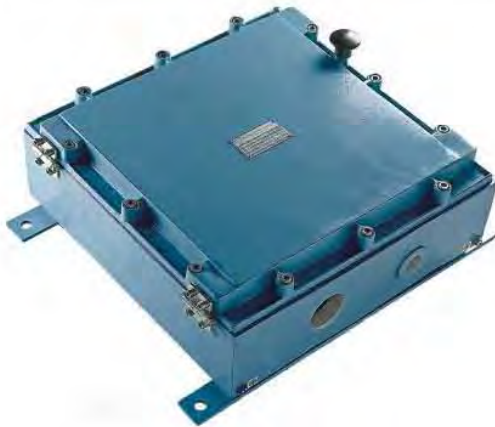
AS PER TABLE No.3

CABLE ENTRY :

AS PER TABLE No.2

NOTE :

THIS ENCLOSURE IS ALSO AVAILABLE WITH **DGMS** APPROVAL.



C = STD 160 mm
C = HIGH DOME 200 mm

Table 1

Sr. No.	TYPE No.	DIMENSIONS					REMARKS
		A ±5	B ±5	C ±5	D ±2	E ±2	
01	DB 31340 A	415	415	160	465	360	WITH DGMS
02	DB 31340 B	415	270	160	465	215	WITH DGMS
03	DB 31340 C	290	250	160	340	195	WITH DGMS
04	DB 31340 AB	415	545	160	465	485	-
05	DB 31340 AA	415	845	160	465	780	-
06	DB 31340 ABS1	540	540	160	485	485	-
07	DB 31340 ABS2	540	540	200	485	485	-
08	DB 31340 ABS3	540	540	300	485	485	-

Table 2

Maximum Number of Cable Entries

Sr. No.	SIZE OF CABLE ENTRIES	MAX. Nos. OF CABLE ENTRIES															
		DB 31340 A		DB 31340 B		DB 31340 C		DB 31340 AB		DB 31340 AA		DB 31340 ABS1		DB 31340 ABS2		DB 31340 ABS3	
		SIDE A/C	SIDE B/D	SIDE A/C	SIDE B/D	SIDE A/C	SIDE B/D	SIDE A/C	SIDE B/D	SIDE A/C	SIDE B/D	SIDE A/C	SIDE B/D	SIDE A/C	SIDE B/D	SIDE A/C	SIDE B/D
01	M20 x 1.5 Pitch	24 Nos.	24 Nos.	14 Nos.	24 Nos.	12 Nos.	12 Nos.	30 Nos.	24 Nos.	48 Nos.	24 Nos.	36 Nos.	36 Nos.	36 Nos.	30 Nos.	40 Nos.	40 Nos.
02	M25 x 1.5 Pitch	15 Nos.	15 Nos.	08 Nos.	15 Nos.	08 Nos.	10 Nos.	20 Nos.	15 Nos.	30 Nos.	15 Nos.	22 Nos.	22 Nos.	25 Nos.	25 Nos.	32 Nos.	22 Nos.
03	M32 x 1.5 Pitch	08 Nos.	08 Nos.	04 Nos.	08 Nos.	04 Nos.	07 Nos.	14 Nos.	10 Nos.	20 Nos.	10 Nos.	10 Nos.	10 Nos.	12 Nos.	12 Nos.	18 Nos.	18 Nos.
04	M40 x 1.5 Pitch	08 Nos.	08 Nos.	05 Nos.	08 Nos.	05 Nos.	05 Nos.	11 Nos.	08 Nos.	16 Nos.	08 Nos.	10 Nos.	10 Nos.	12 Nos.	12 Nos.	18 Nos.	18 Nos.
05	M50 x 1.5 Pitch	04 Nos.	04 Nos.	03 Nos.	04 Nos.	02 Nos.	02 Nos.	08 Nos.	05 Nos.	10 Nos.	05 Nos.	08 Nos.	08 Nos.	08 Nos.	08 Nos.	08 Nos.	08 Nos.
06	M63 x 1.5 Pitch	04 Nos.	04 Nos.	02 Nos.	04 Nos.	02 Nos.	02 Nos.	05 Nos.	04 Nos.	08 Nos.	04 Nos.	06 Nos.	06 Nos.	06 Nos.	06 Nos.	06 Nos.	06 Nos.
07	M75 x 1.5 Pitch	02 Nos.	02 Nos.	01 No.	02 Nos.	01 No.	01 No.	03 Nos.	02 Nos.	04 Nos.	02 Nos.	04 Nos.	04 Nos.	04 Nos.	04 Nos.	04 Nos.	04 Nos.
08	M90 x 2 Pitch	-	-	-	-	-	-	-	-	-	-	-	-	04 Nos.	04 Nos.	04 Nos.	04 Nos.

Table 3

Maximum Number of Terminals

Sr. No.	TYPE No.	Maximum Number of Terminals (DIN Rail mounted)															
		2.5/4 Sq.mm		6 Sq.mm		10 Sq mm		16 Sq.mm		35/50 Sq.mm		70 Sq mm		95 Sq.mm		120 Sq.mm	
		HOR.	VER.	HOR.	VER.	HOR.	VER.	HOR.	VER.	HOR.	VER.	HOR.	VER.	HOR.	VER.	HOR.	VER.
01	DB 31340 A	2 x 40	2 x 40	2 x 32	2 x 32	2 x 26	2 x 26	2 x 22	2 x 22	2 x 10	2 x 10	1 x 09	1 x 09	1 x 07	1 x 07		
02	DB 31340 B	1 x 40	2 x 18	1 x 32	2 x 15	1 x 26	2 x 12	1 x 22	2 x 10	1 x 15	2 x 05	1 x 10	1 x 03	1 x 07	1 x 02		
03	DR 31340 C	1 x 20	2 x 16	1 x 18	2 x 14	1 x 15	2 x 12	1 x 12	2 x 08	1 x 06	1 x 04	1 x 04	1 x 02	1 x 03	1 x 02		
04	DB 31340 AB	3 x 40	2 x 50	2 x 32	2 x 40	2 x 26	2 x 35	2 x 22	2 x 30	2 x 08	2 x 15	2 x 06	2 x 10	2 x 05	2 x 07		
05	DB 31340 AA	5 x 40	2 x 80	5 x 32	2 x 70	5 x 26	2 x 60	4 x 22	2 x 50	3 x 08	2 x 20	2 x 06	1 x 18	2 x 05	1 x 15		
06	DB 31340 ABS1	3 x 50	3 x 50	3 x 40	2 x 40	2 x 35	2 x 35	2 x 30	2 x 30	2 x 15	2 x 15	2 x 10	2 x 10	2 x 08	1 x 08		
07	DB 31340 ABS2	3 x 50	3 x 50	3 x 40	2 x 40	2 x 35	2 x 35	2 x 30	2 x 30	2 x 15	2 x 15	2 x 10	2 x 10	2 x 08	1 x 08		
08	DB 31340 ABS3	3 x 50	3 x 50	3 x 40	2 x 40	2 x 35	2 x 35	2 x 30	2 x 30	2 x 15	2 x 15	2 x 10	2 x 10	2 x 08	1 x 08	1 x 08	1 x 08



Flameproof & Weatherproof Multiway Junction Box

● Technical Data :

PROTECTION :
IP-65 AS PER IS/IEC 60529:2001

CERTIFICATION :
CIMFR/TC/SR/H108

TERMINALS :
AS PER TABLE No.3

CABLE ENTRY :
AS PER TABLE No.2

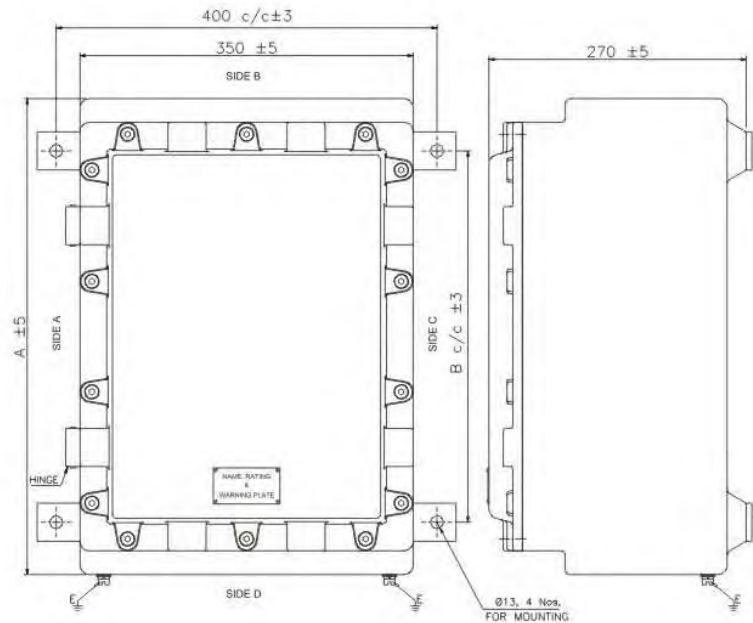


Table 1

Sr. No.	TYPE No .	DIMENSIONS	
		A ± 5	B ± 3
01	SC 31350	400	280
02	SC 31450	500	390
03	SC 31750	800	670
04	SC 31450-S	200	175

Table 2

Maximum Number of Cable Entries

Sr. No.	SIZE OF CABLE ENTRIES	MAX. Nos. OF CABLE ENTRIES							
		SC 31350		SC 31450		SC 31750		SC 31350-S	
		SIDE A/C	SIDE B/D	SIDE A/C	SIDE B/D	SIDE A/C	SIDE B/D	SIDE A/C	SIDE B/D
01	M20 x 13 Pitch	30 Nos.	28 Nos.	38 Nos.	28 Nos.	65 Nos.	28 Nos.	10 Nos.	20 Nos.
02	M25 x 13 Pitch	20 Nos.	18 Nos.	26 Nos.	18 Nos.	42 Nos.	18 Nos.	08 Nos.	18 Nos.
03	M32 x 13 Pitch	12 Nos.	10 Nos.	14 Nos.	10 Nos.	30 Nos.	10 Nos.	05 Nos.	10 Nos.
04	M40 x 13 Pitch	10 Nos.	10 Nos.	12 Nos.	10 Nos.	22 Nos.	10 Nos.	05 Nos.	10 Nos.
05	M50 x 1.5 Pitch	08 Nos.	08 Nos.	10 Nos.	08 Nos.	18 Nos.	08 Nos.	04 Nos.	08 Nos.
06	M63 x 13 Pitch	04 Nos.	03 Nos.	04 Nos.	03 Nos.	12 Nos.	03 Nos.	-	03 Nos.
07	M75 x 13 Pitch	03 Nos.	02 Nos.	04 Nos.	02 Nos.	06 Nos.	02 Nos.	-	02 Nos.
08	M90 x 2 Pitch	02 Nos.	02 Nos.	03 Nos.	02 Nos.	05 Nos.	02 Nos.	-	02 Nos.
09	M100 x 2 Pitch	02 Nos.	02 Nos.	02 Nos.	02 Nos.	05 Nos.	02 Nos.	-	02 Nos.

Table 3

Maximum Number of Terminals

Sr. No.	TYPE No	Maximum Number of Terminals (DIN Rail mounted)															
		2.5/4 Sq.mm		6 Sq.mm		10 Sq mm		16 Sq.mm		35/50 Sq.mm		70 Sq mm		95 Sq.mm		120 Sq.mm	
		HOR.	VER.	HOR.	VER.	HOR.	VER.	HOR.	VER.	HOR.	VER.	HOR.	VER.	HOR.	VER.	HOR.	VER.
01	SC 31350	2 x 30	2 x 34	2 x 26	2 x 30	2 x 20	2 x 23	2 x 16	2 x 18	2 x 10	2 x 10	1 x 04	1 x 05	1 x 03	1 x 04	1 x 03	1 x 03
02	SC 31450	3 x 30	2 x 45	3 x 26	2 x 30	3 x 20	2 x 30	3 x 16	2 x 25	2 x 10	2 x 15	1 x 04	1 x 07	1 x 03	1 x 06	1 x 03	1 x 06
03	SC 31750	5 x 30	2 x 85	5 x 26	2 x 75	5 x 20	2 x 60	5 x 16	2 x 50	4 x 10	2 x 30	3 x 04	1 x 19	3 x 03	1 x 15	3 x 03	1 x 15
04	SC 31350-S	1 x 30	2 x 15	1 x 26	2 x 10	1 x 20	1 x 16	-	1 x 10	-	-	-	-	-	-	-	-



SINCE 1974

Flameproof & Weatherproof Multiway Junction Box

Technical Data :

PROTECTION :
IP-65/66 AS PER IS/IEC 60529:2001

CERTIFICATION :
AS PER TABLE No.1

TERMINALS :
AS PER TABLE No.3

CABLE ENTRY :
AS PER TABLE No.2

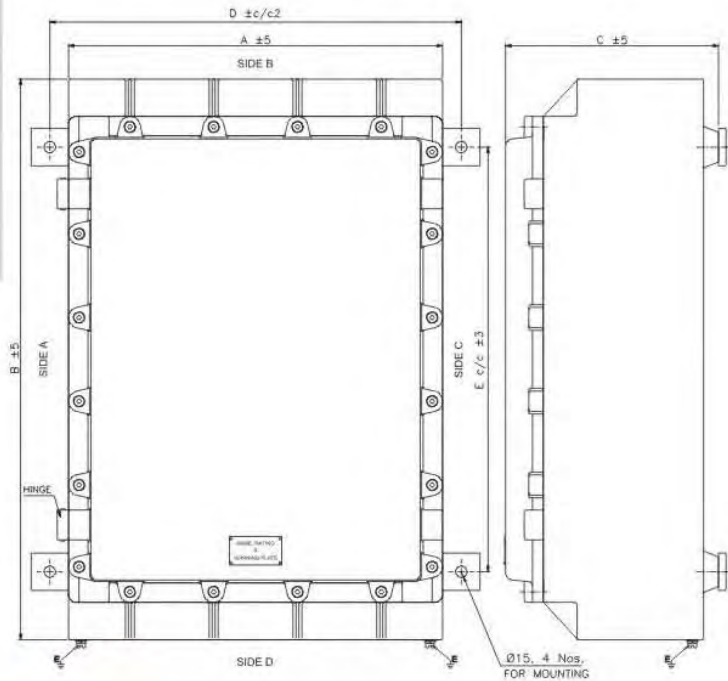


Table 1

Sr. No.	TYPE No .	TEMP. CLASS	CERTIFICATION	DIMENSIONS				
				A ±2	B ±5	C ±5	D ±5	E ±5
01	SC 315045	65	CIMFR/TC/SR/1535	500	450	285	550	270
02	SC 316550	65	CIMFR/TC/SR/H115	500	750	285	550	570
03	SC 316550 B	65	CIMFR/TC/SR/H115	615	865	400	650	770
04	SC 31352 S	66	CIMFR/TC/SR/H123	340	505	300	390	440
05	SC 31352 B	66	CIMFR/TC/SR/H123	505	680	325	550	610
05	IJ 31850	65	CIMFR/TC/SR/1198	570	870	260	540	505

Table 2

Maximum Number of Cable Entries

Sr. No.	SIZE OF CABLE ENTRIES	MAX. Nos. OF CABLE ENTRIES											
		SC 315045		SC 316550		SC 316550 B		SC 31352 S		SC 31352 B		IJ 31850	
		SIDE A/C	SIDE B/D	SIDE A/C	SIDE B/D	SIDE A/C	SIDE B/D	SIDE A/C	SIDE B/D	SIDE A/C	SIDE B/D	SIDE A/C	SIDE B/D
01	M20 x 1.5 Pitch	30 Nos.	46 Nos.	70 Nos.	46 Nos.	100 Nos.	70 Nos.	55 Nos.	35 Nos.	80 Nos.	58 Nos.	80 Nos.	48 Nos.
02	M25 x 1.5 Pitch	18 Nos.	29 Nos.	44 Nos.	29 Nos.	70 Nos.	44 Nos.	35 Nos.	24 Nos.	52 Nos.	38 Nos.	60 Nos.	40 Nos.
03	M32 x 1.5 Pitch	15 Nos.	23 Nos.	35 Nos.	23 Nos.	48 Nos.	35 Nos.	24 Nos.	15 Nos.	32 Nos.	22 Nos.	36 Nos.	24 Nos.
04	M40 x 1.5 Pitch	08 Nos.	14 Nos.	20 Nos.	14 Nos.	32 Nos.	20 Nos.	21 Nos.	12 Nos.	28 Nos.	20 Nos.	30 Nos.	18 Nos.
05	M50 x 1.5 Pitch	06 Nos.	11 Nos.	17 Nos.	11 Nos.	25 Nos.	18 Nos.	17 Nos.	09 Nos.	20 Nos.	15 Nos.	20 Nos.	14 Nos.
06	M63 x 1.5 Pitch	03 Nos.	04 Nos.	07 Nos.	05 Nos.	14 Nos.	08 Nos.	10 Nos.	06 Nos.	12 Nos.	10 Nos.	16 Nos.	10 Nos.
07	M75 x 1.5 Pitch	02 Nos.	04 Nos.	06 Nos.	04 Nos.	10 Nos.	07 Nos.	06 Nos.	04 Nos.	08 Nos.	06 Nos.	10 Nos.	06 Nos.
08	M90 x 2 Pitch	02 Nos.	03 Nos.	05 Nos.	04 Nos.	08 Nos.	06 Nos.	04 Nos.	02 Nos.	06 Nos.	04 Nos.	05 Nos.	04 Nos.
09	M100 x 2 Pitch	02 Nos.	03 Nos.	05 Nos.	03 Nos.	07 Nos.	05 Nos.	03 Nos.	02 Nos.	04 Nos.	03 Nos.	05 Nos.	03 Nos.

Table 3

Maximum Number of Terminals

Sr. No.	TYPE No	Maximum Number of Terminals (DIN Rail mounted)															
		2.5/4 Sq.mm		6 Sq.mm		10 Sq mm		16 Sq.mm		35/50 Sq.mm		70 Sq mm		95 Sq.mm		120 Sq.mm	
		HOR.	VER.	HOR.	VER.	HOR.	VER.	HOR.	VER.	HOR.	VER.	HOR.	VER.	HOR.	VER.	HOR.	VER.
01	SC 315045	3 x 42	3 x 50	3 x 36	3 x 44	3 x 30	2 x 35	3 x 24	2 x 28	3 x 14	2 x 16	2 x 06	2 x 08	1 x 05	1 x 06	1 x 05	1 x 06
02	SC 316550	4 x 50	2 x 82	4 x 44	3 x 72	4 x 35	3 x 58	4 x 28	3 x 48	4 x 16	3 x 30	3 x 08	2 x 15	2 x 06	1 x 12	2 x 06	1 x 12
03	SC 316550 B	4 x 58	2 x 90	4 x 50	3 x 76	4 x 42	3 x 62	4 x 34	3 x 56	4 x 20	3 x 36	3 x 12	2 x 18	2 x 08	1 x 15	2 x 08	1 x 15
04	SC 31352 S	3 x 26	2 x 50	3 x 24	2 x 44	3 x 18	2 x 35	3 x 15	2 x 28	3 x 10	2 x 16	2 x 03	1 x 08	1 x 03	1 x 06	1 x 03	1 x 06
05	SC 31352 B	4 x 50	3 x 74	4 x 44	3 x 65	4 x 35	3 x 52	2 x 28	3 x 43	4 x 16	3 x 25	3 x 08	2 x 12	2 x 06	1 x 10	2 x 06	1 x 10
06	IJ 31850	5 x 45	3 x 85	5 x 40	3 x 75	5 x 31	3 x 60	5 x 25	3 x 50	4 x 15	2 x 30	3 x 07	2 x 19	3 x 06	1 x 15	2 x 06	1 x 15



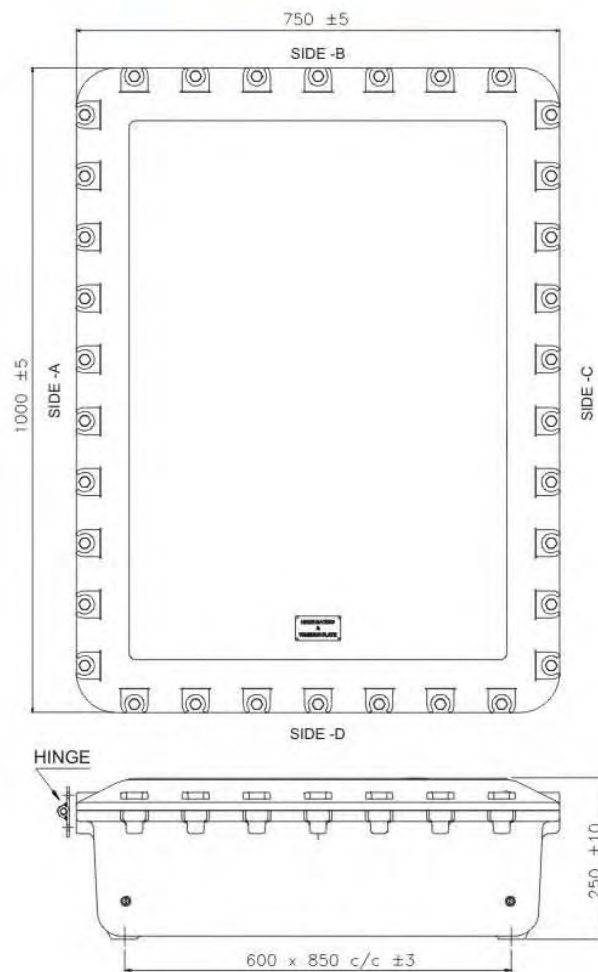
Flameproof & Weatherproof Multiway Junction Box

● Technical Data : SC 3110075

PROTECTION :
IP-65 AS PER IS/IEC 60529:2001

TERMINALS :
AS PER TABLE

CABLE ENTRY :
AS PER TABLE



Maximum Number of Cable Entries

Sr. No.	SIZE OF CABLE ENTRIES	MAX. Nos. OF CABLE ENTRIES	
		SIDE A/C	SIDE B/D
01	M20 x 1.5 Pitch	84 Nos.	50 Nos.
02	M25 x 1.5 Pitch	60 Nos.	41 Nos.
03	M32 x 1.5 Pitch	40 Nos.	24 Nos.
04	M40 x 1.5 Pitch	32 Nos.	18 Nos.
05	M50 x 1.5 Pitch	22 Nos.	14 Nos.
06	M63 x 1.5 Pitch	16 Nos.	10 Nos.
07	M75 x 1.5 Pitch	10 Nos.	06 Nos.
08	M90 x 2 Pitch	05 Nos.	04 Nos.
09	M100 x 2 Pitch	04 Nos.	03 Nos.

Maximum Number of Terminals

Sr. No.	SIZE OF TERMINALS	MAX. Nos. OF TERMINALS	
		HOR.	VER.
01	2.5/4 Sq.mm	5 x 85	3 x 115
02	6 Sq.mm	3 x 72	3 x 105
03	10 Sq.mm	3 x 60	3 x 83
04	16 Sq.mm	3 x 50	3 x 60
05	35/50 Sq.mm	2 x 30	2 x 29
06	70 Sq.mm	2 x 19	1 x 26
07	95 Sq.mm	1 x 15	1 x 20
08	120 Sq.mm	1 x 15	1 x 20